

RP35 RESPONDER LIGHTING SELECTOR PANEL

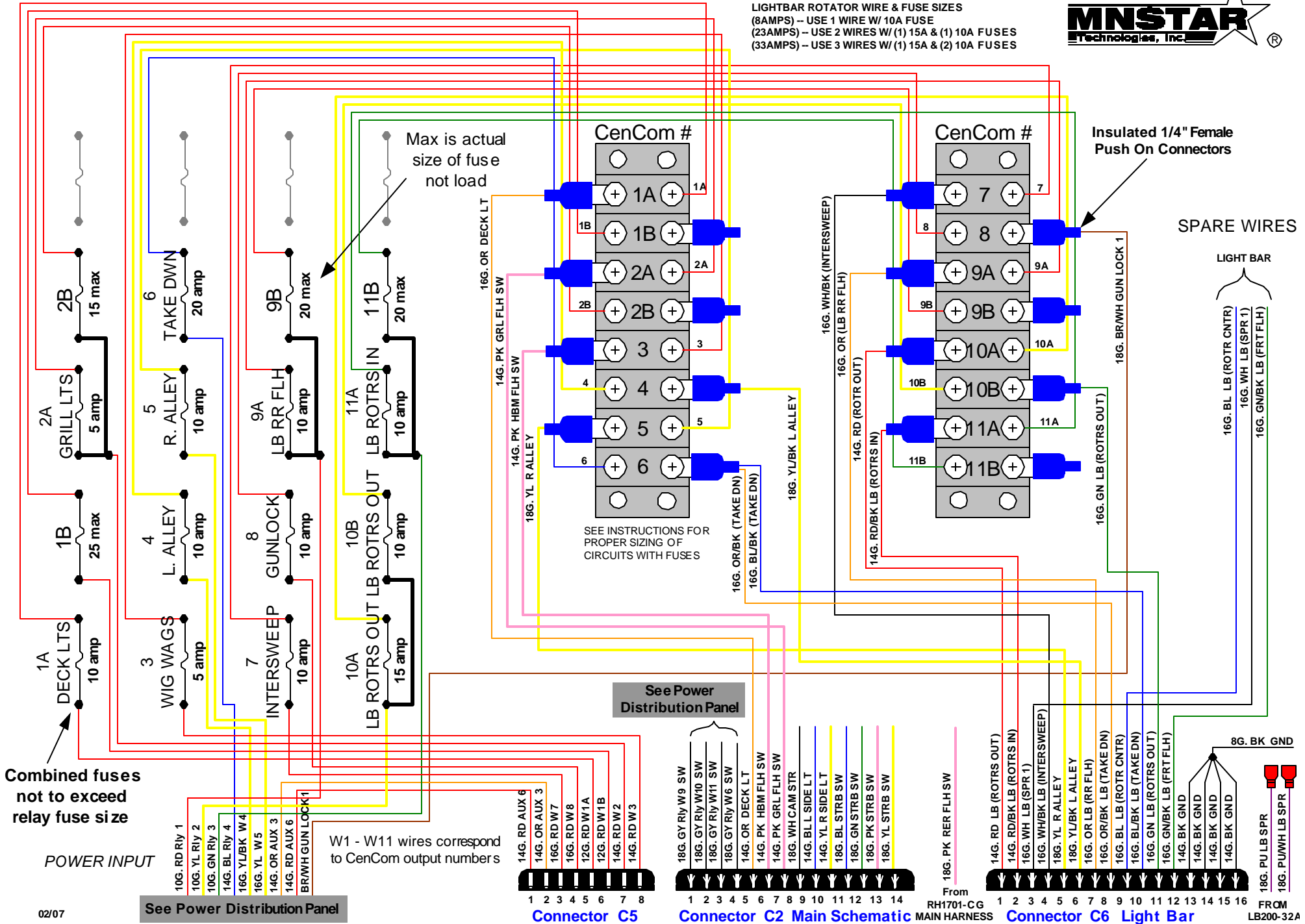
For use with RH1600, RH1600-CG & RH1701-CG CenCom Harnesses

MNSTAR PATENTED TECHNOLOGY

Copy Right 2007



LIGHTBAR ROTATOR WIRE & FUSE SIZES
 (8AMPS) - USE 1 WIRE W/ 10A FUSE
 (23AMPS) - USE 2 WIRES W/ (1) 15A & (1) 10A FUSES
 (33AMPS) - USE 3 WIRES W/ (1) 15A & (2) 10A FUSES



Combined fuses not to exceed relay fuse size

POWER INPUT

See Power Distribution Panel

W1 - W11 wires correspond to CenCom output numbers

See Power Distribution Panel