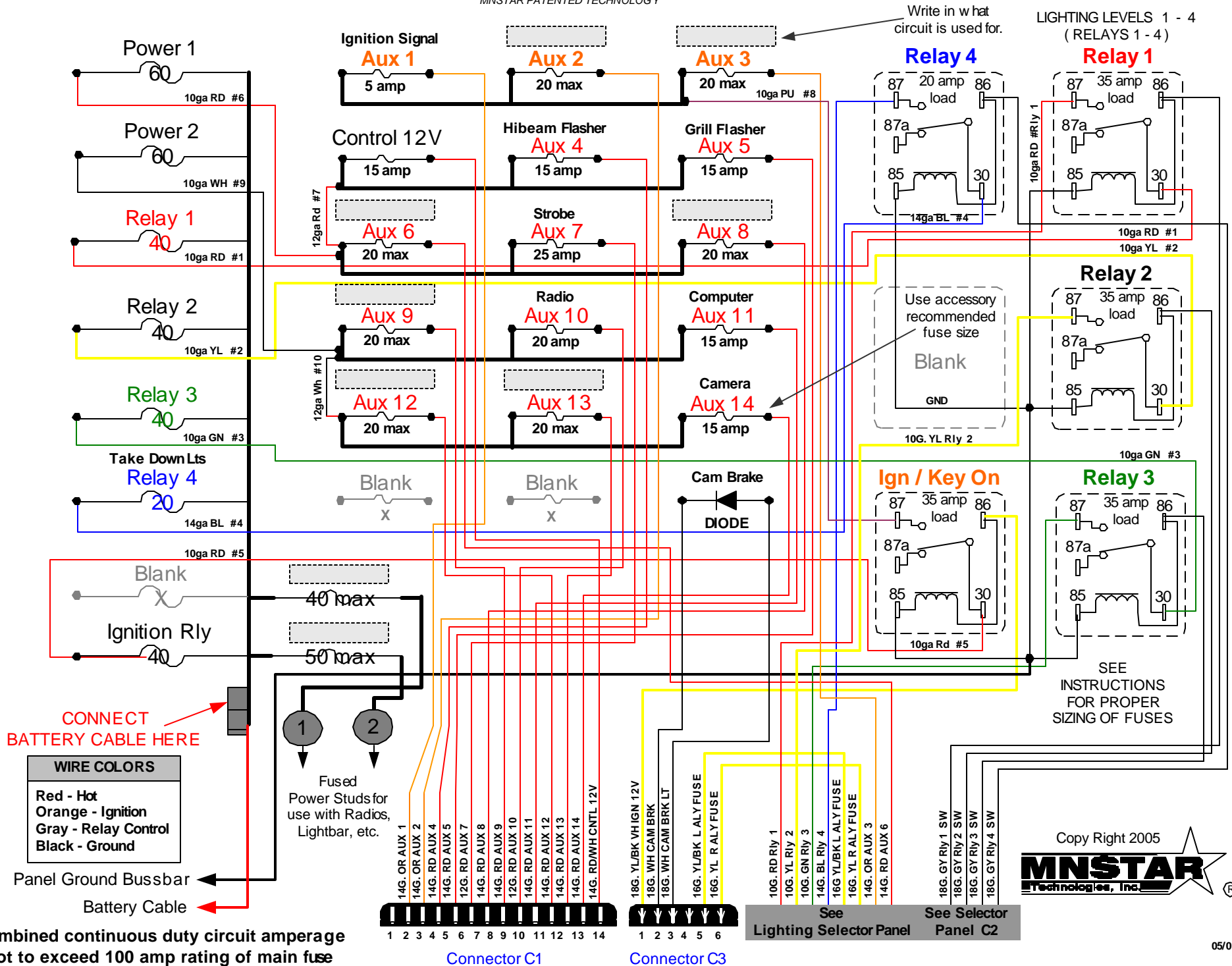


RP32 RESPONDER™ POWER DISTRIBUTION PANEL

MNSTAR PATENTED TECHNOLOGY



Combined continuous duty circuit amperage not to exceed 100 amp rating of main fuse

Connector C1

Connector C3