

Copy Right 2007



# RH1711-CG RESPONDER™ CONSOLE WIRE SCHEMATIC

MINSTAR PATENTED TECHNOLOGY  
DODGE SEDAN HARNESS

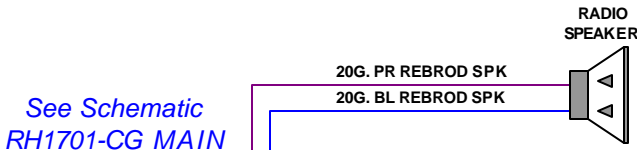
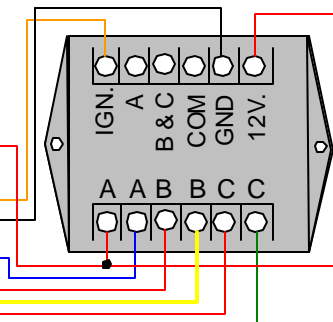
For use with  
**WHELEN CenCom Gold Systems™**

Whelen and CenCom are trade marks of Whelen Engineering Company, Inc.

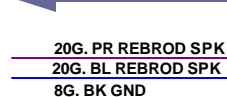


**DR33-C MNSTAR  
PROGRAMMABLE DELAY TIMER**

WHEN USING TIMER  
MAX FUSE SIZE  
7.5A LOAD A  
20A LOAD B  
20A LOAD C



See Schematic  
RH1701-CG MAIN



- 20G. PR REBROD SPK
- 20G. BL REBROD SPK
- 8G. BK GND
- 16G. OR AUX 1
- 14G. OR AUX 3
- 16G. RD/WH CNTL 12V
- 14G. RD AUX 8
- 12G. RD AUX 10
- 14G. RD AUX 11
- 14G. RD AUX 12
- 14G. RD AUX 13

### PTIM Wires

- 18G. BR NIGHT OVR I
- 18G. WH DOOR AJAR
- 18G. WH DVR SEAT
- 18G. BR PANEL LTS

### Spares

- 14G. TN CON SPR 1
- 14G. TN CON SPR 2
- 14G. TN CON SPR 3
- 14G. GY/WH FRT SPR
- 14G. TN CON SPR 1 SPARE 1
- 14G. TN CON SPR 2 SPARE 2
- 14G. TN CON SPR 3 SPARE 3
- 14G. GY/WH FRT SPR FRONT SPR

WIRE COLORS
Red - Hot
Orange - Ignition
Gray - Relay Control
Black - Ground

**IGNITION SIGNAL**

AUX 1 is intended as a low current ignition signal. Not for use as power.

Write in what spare wire is used for.

CUSTOMER WORK AREA FOR SPARE CIRCUITS

