

Copy Right 2007



# RH1701-CG RESPONDER™ CONSOLE WIRE SCHEMATIC

MINSTAR PATENTED TECHNOLOGY  
DODGE SEDAN HARNESS

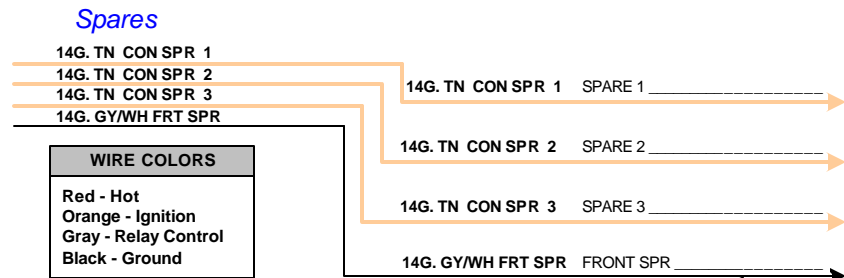
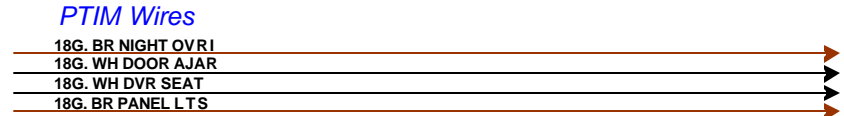
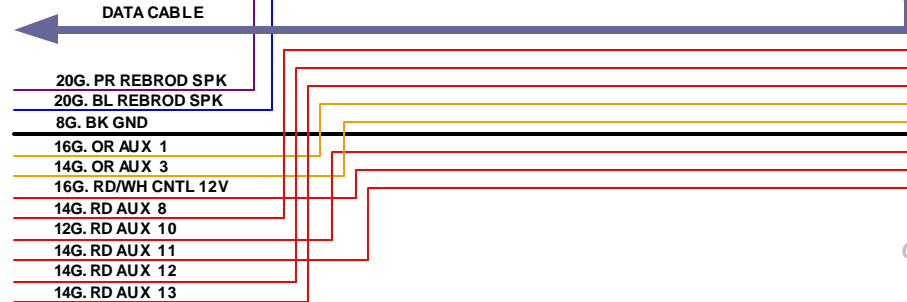
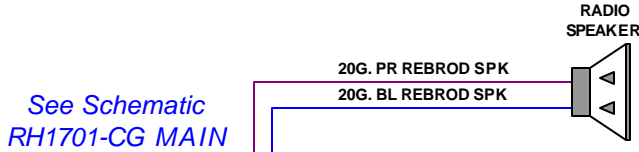
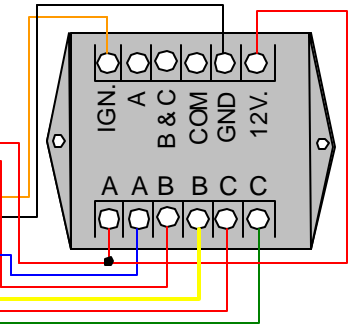
For use with  
**WHELEN CenCom Gold Systems™**

Whelen and CenCom are trade marks of Whelen Engineering Company, Inc.



**DR33-C MNSTAR  
PROGRAMMABLE DELAY TIMER**

WHEN USING TIMER  
MAX FUSE SIZE  
7.5A LOAD A  
20A LOAD B  
20A LOAD C



WIRE COLORS
Red - Hot
Orange - Ignition
Gray - Relay Control
Black - Ground

**IGNITION SIGNAL**

AUX 1 is intended as a low current ignition signal. Not for use as power.

Write in what spare wire is used for.

CUSTOMER WORK AREA FOR SPARE CIRCUITS

