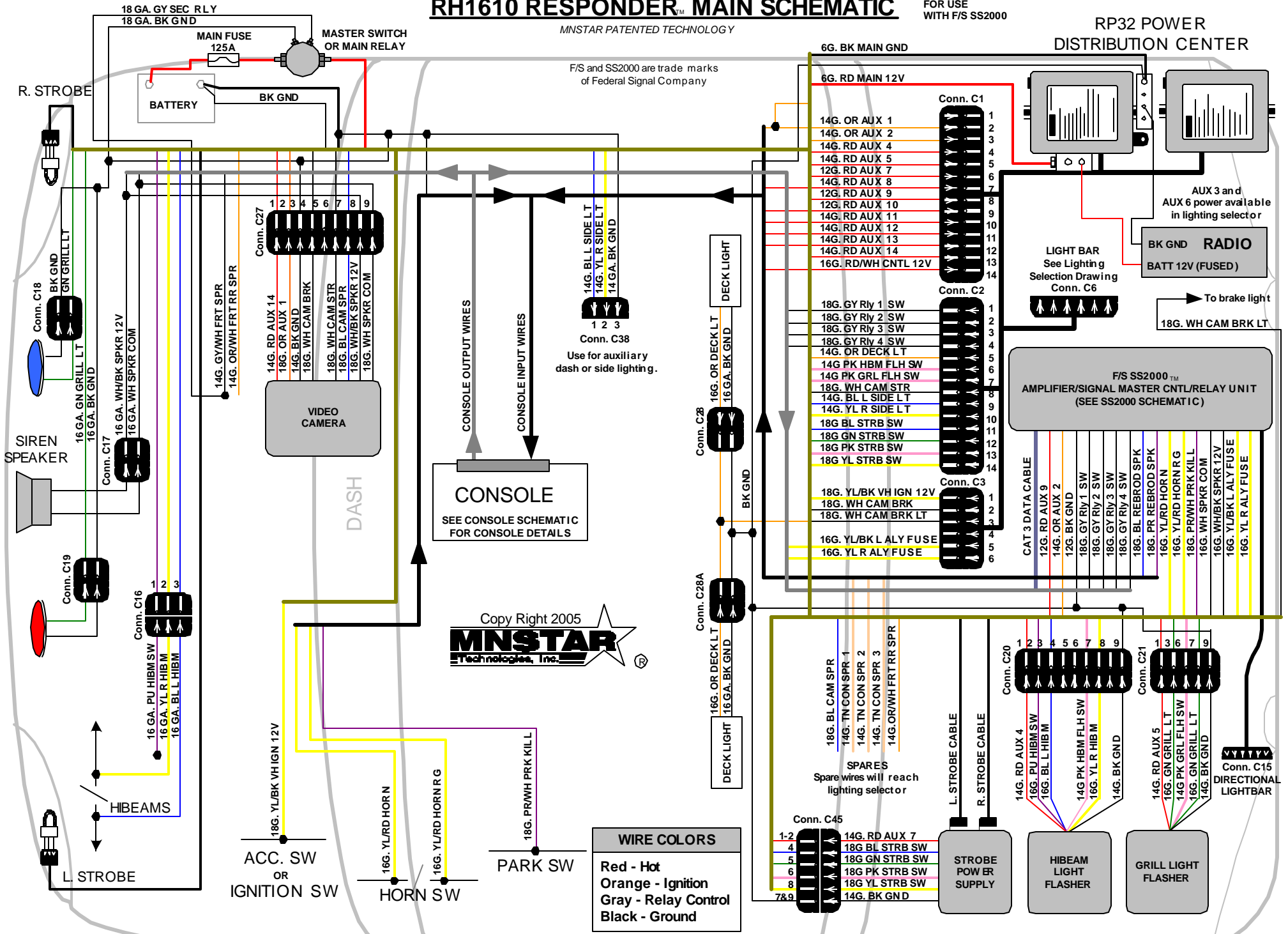


RH1610 RESPONDER™ MAIN SCHEMATIC

FOR USE WITH F/S SS2000

MNSTAR PATENTED TECHNOLOGY

F/S and SS2000 are trade marks of Federal Signal Company



Copy Right 2005
MNSTAR
 Technologies, Inc.

WIRE COLORS	
Red	- Hot
Orange	- Ignition
Gray	- Relay Control
Black	- Ground