

Copy Right 2007



# RH1601-CG RESPONDER™ CONSOLE WIRE SCHEMATIC

MNSTAR PATENTED TECHNOLOGY

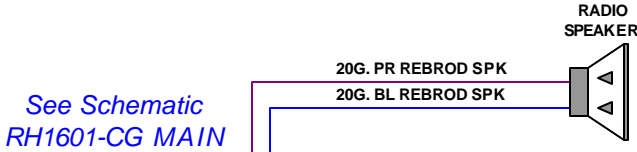
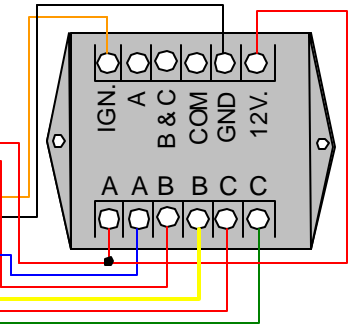
For use with  
**WHELEN CenCom Gold Systems™**

Whelen and CenCom are trade marks of Whelen Engineering Company, Inc.

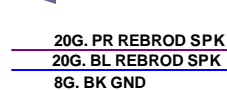


**DR33-C MNSTAR  
PROGRAMMABLE DELAY TIMER**

WHEN USING TIMER  
MAX FUSE SIZE  
7.5A LOAD A  
20A LOAD B  
20A LOAD C



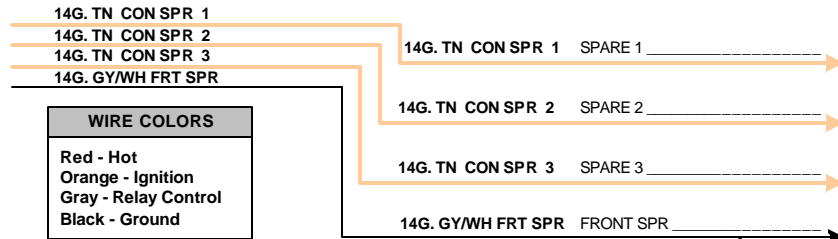
See Schematic  
RH1601-CG MAIN



- 20G. PR REBROD SPK
- 20G. BL REBROD SPK
- 8G. BK GND
- 16G. OR AUX 1
- 14G. OR AUX 3
- 16G. RD/WH CNTL 12V
- 14G. RD AUX 8
- 12G. RD AUX 10
- 14G. RD AUX 11
- 14G. RD AUX 12
- 14G. RD AUX 13

CUSTOMER WORK AREA FOR SPARE CIRCUITS

### Spares



WIRE COLORS
Red - Hot
Orange - Ignition
Gray - Relay Control
Black - Ground

IGNITION SIGNAL
AUX 1 is intended as a low current ignition signal. Not for use as power.

Write in what spare wire is used for.

