

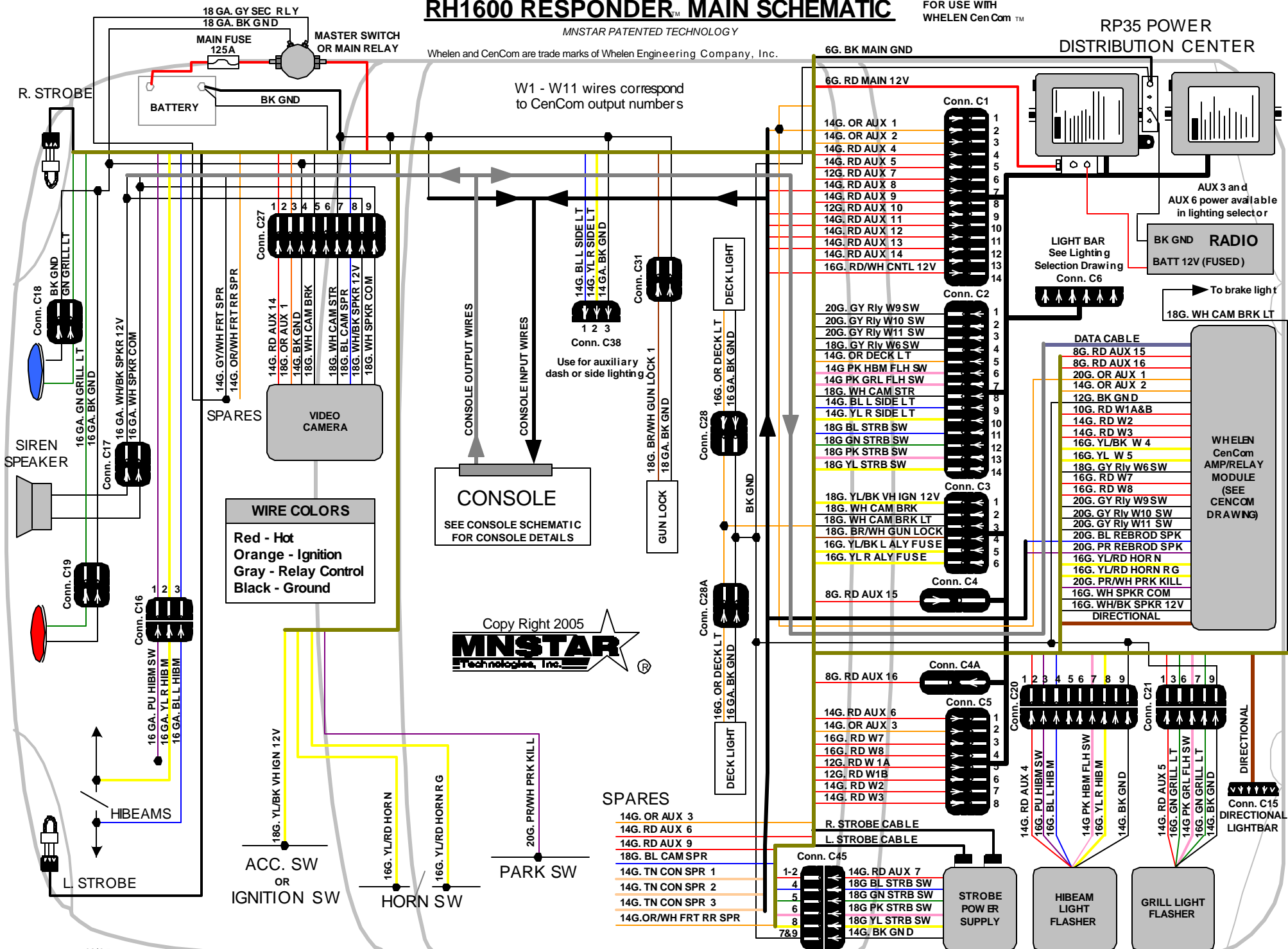
RH1600 RESPONDER™ MAIN SCHEMATIC

FOR USE WITH
WHELEN CenCom™

MNSTAR PATENTED TECHNOLOGY

Whelen and CenCom are trade marks of Whelen Engineering Company, Inc.

RP35 POWER DISTRIBUTION CENTER



Copy Right 2005
MNSTAR
Technologies, Inc.