

GH1500 GUARDIAN MAIN SCHEMATIC™

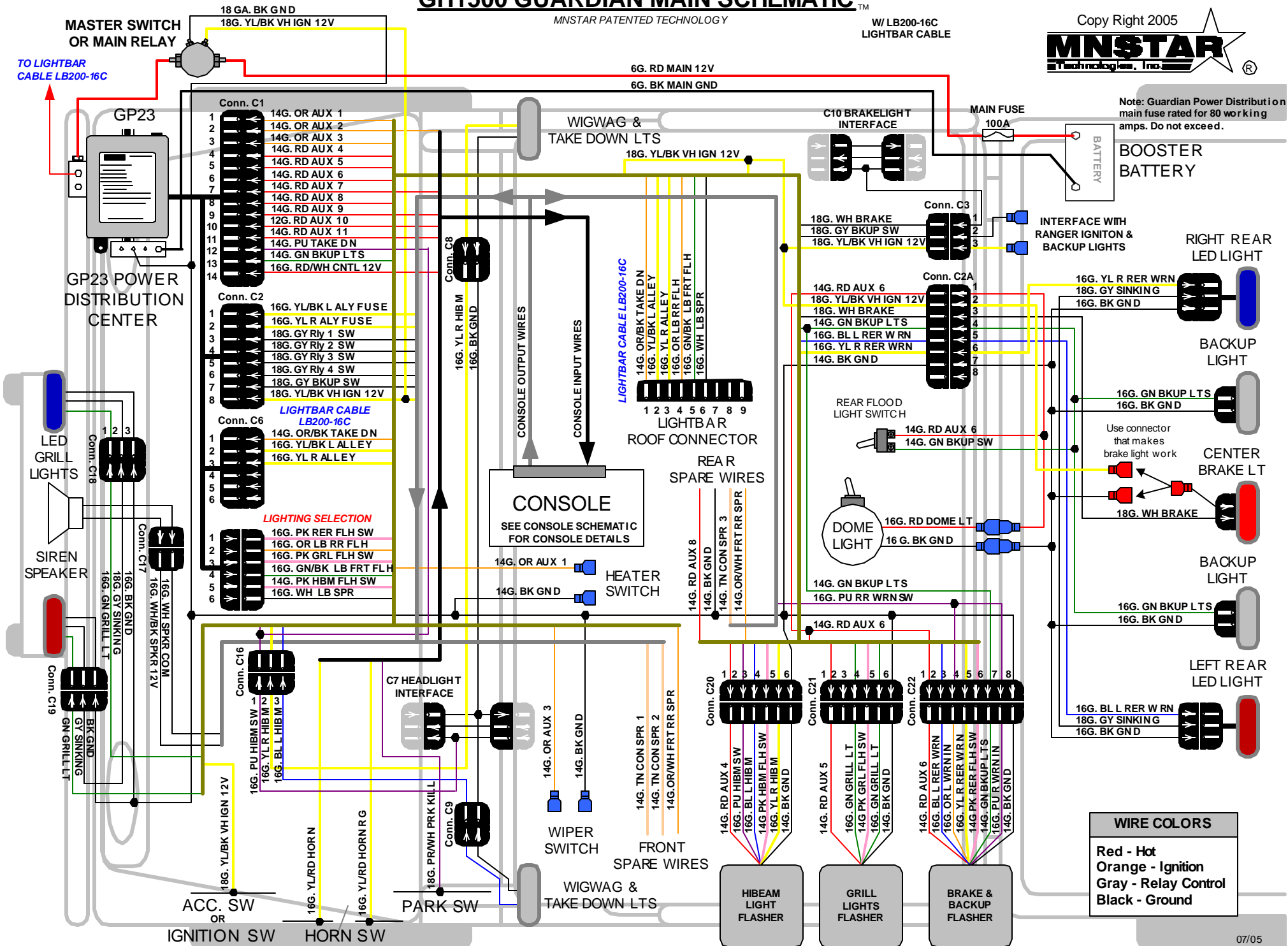
MNSTAR PATENTED TECHNOLOGY

W/LB200-16C
LIGHTBAR CABLE

Copy Right 2005



Note: Guardian Power Distribution main fuse rated for 80 working amps. Do not exceed.



BOOSTER BATTERY

RIGHT REAR LED LIGHT

BACKUP LIGHT

CENTER BRAKE LT

BACKUP LIGHT

LEFT REAR LED LIGHT