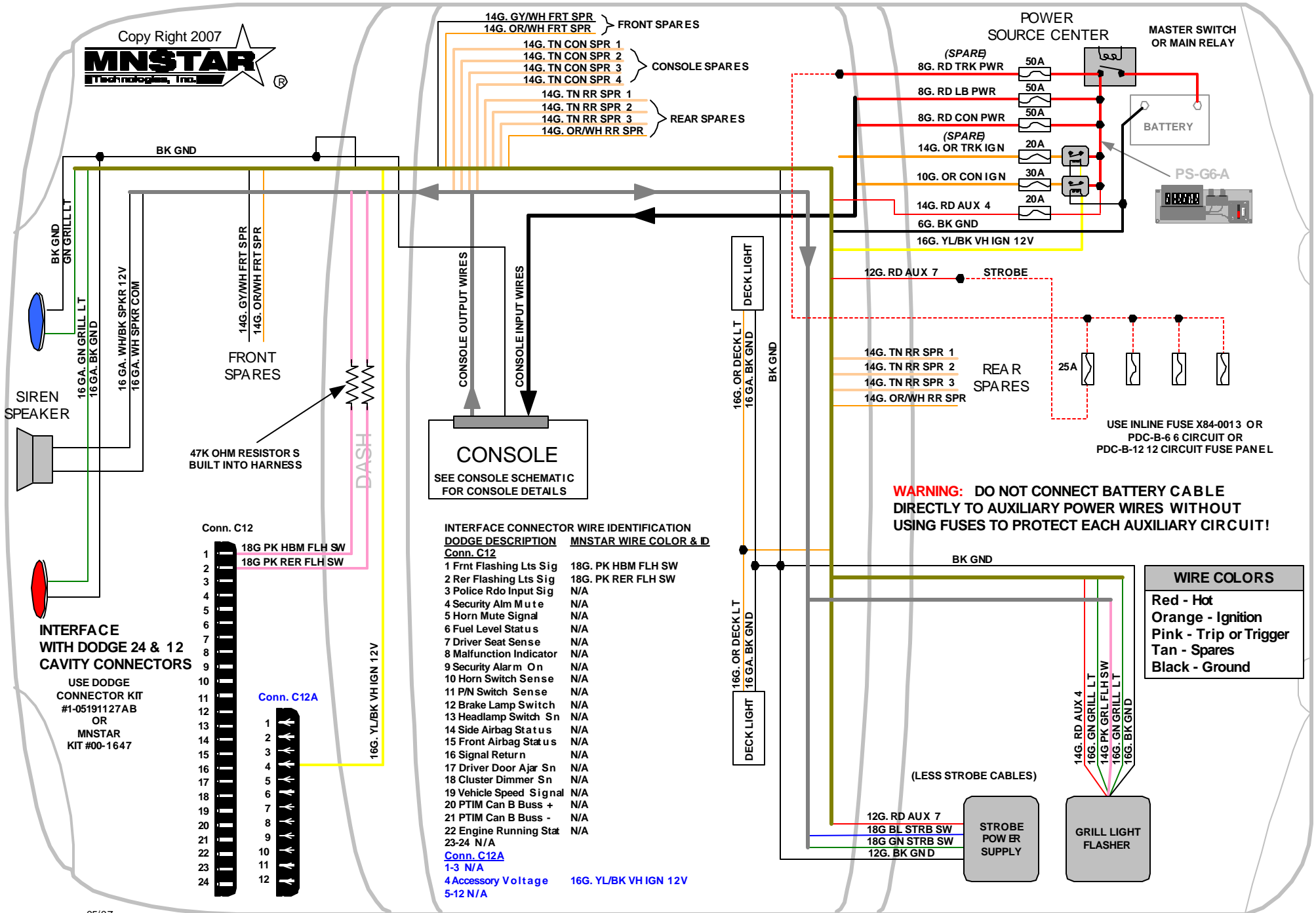


EDH1710 INSTALLER™ WIRE SCHEMATIC

MNSTAR PATENTED TECHNOLOGY
DODGE SEDAN HARNESS

Fuses & Switch not Supplied

Copy Right 2007



47K OHM RESISTOR S
BUILT INTO HARNESS

INTERFACE CONNECTOR WIRE IDENTIFICATION
DODGE DESCRIPTION MNSTAR WIRE COLOR & ID

Conn. C12	Dodge Description	MNSTAR Wire Color & ID
1	Frnt Flashing Lts Sig	18G. PK HBM FLH SW
2	Rer Flashing Lts Sig	18G. PK RER FLH SW
3	Police Rdo Input Sig	N/A
4	Security Alm Mute	N/A
5	Horn Mute Signal	N/A
6	Fuel Level Stat us	N/A
7	Driver Seat Sense	N/A
8	Malfunction Indicator	N/A
9	Security Alarm On	N/A
10	Horn Switch Sense	N/A
11	P/N Switch Sense	N/A
12	Brake Lamp Switch	N/A
13	Headlamp Switch Sn	N/A
14	Side Airbag Status	N/A
15	Front Airbag Status	N/A
16	Signal Return	N/A
17	Driver Door Ajar Sn	N/A
18	Cluster Dimmer Sn	N/A
19	Vehicle Speed Signal	N/A
20	PTIM Can B Buss +	N/A
21	PTIM Can B Buss -	N/A
22	Engine Running Stat	N/A
23-24	N/A	N/A
Conn. C12A		
1-3	N/A	N/A
4	Accessory Voltage	16G. YL/BK VH IGN 12V
5-12	N/A	N/A

WARNING: DO NOT CONNECT BATTERY CABLE DIRECTLY TO AUXILIARY POWER WIRES WITHOUT USING FUSES TO PROTECT EACH AUXILIARY CIRCUIT!

WIRE COLORS

- Red - Hot
- Orange - Ignition
- Pink - Trip or Trigger
- Tan - Spares
- Black - Ground